



SA165A-XXYYV-3

65W Switching Adapter Series

Input

Rated Voltage	100 - 240 VAC
Max. Voltage	90 - 264 VAC
Line Frequency	47 - 63 Hz
Current	1500mA, at 100-240VAC
Configuration	IEC-320, C14, 3PIN

Output

Model Name	Voltage	Current	Watt	Efficiency
SA165A-1250V-3	12V	5.0A	60.0W	78%
SA165A-1540V-3	15V	4.0A	60.0W	78%
SA165A-1932V-3	19V	3.2A	60.8W	80%
SA165A-2425V-3	24V	2.5A	60.0W	80%
SA165A-3319V-3	33V	1.9A	62.7W	80%
Line Regulation	≤ ±2%			
Load Regulation	≤ ±5%			
Protections	OCP, OVP & Short circuit			
Ripple Voltage	≤ 1% Vo			

Environment

Operating Temp.	0°C - 40°C
Storage Temp.	-20°C - 80°C
Operating Humidity	20% - 80% (Non-condensing)

Reliability

MTBF	100,000 hrs (by MIL-217 Standard)
Safety	ITE : UL, CSA, TUV/GS, CE, CB, PSE, CCC AV : UL, CUL, TUV/GS, CE, CB, PSE, CCC

Others

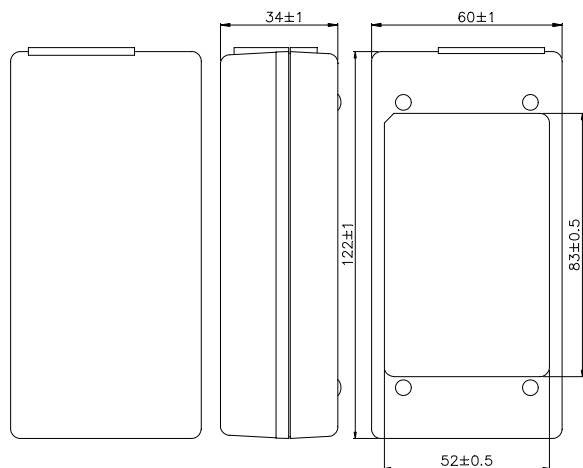
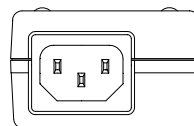
Package	30 pcs/box
Min. Order	1K pcs/lot
Warranty	1 year

Electrical

Topology	Switching Mode
Hi-Pot	1800 Vac/1sec @ 5mA (primary - secondary)
Leakage Current	≤ 3.5mA, at 240VAC/50Hz
Hold Up Time	≥ 10 mSec.
Standby Power	≤ 3 Watt
Consumption	
EMI	Complies with EMI directives

Mechanical

Case Size	122L x 60W x 34H mm
Case Material	Black, 94V-1 or equivalent
Weight	330, ±5 g
DC Cord	4.92ft
LED indicator	Optional



For reference only. For details please contact your local sales representative.