



SA150B-XXV

50W Switching Adapter

Input

Rated Voltage	100 - 240 VAC
Max. Voltage	90 - 264 VAC
Line Frequency	47 - 63 Hz
Current	1500mA, at 100-240VAC
Configuration	IEC-320, C14, 3PIN

Output

Model Name	Voltage	Current	Watt	Efficiency
SA150B-12V	12V	4.0A	48W	75%
SA150B-15V	15V	3.3A	49.5W	80%
SA150B-24V	24V	2.1A	50.4W	80%

Average Efficiency	As per CEC Guideline
Line Regulation	Less than $\pm 2\%$
Load Regulation	Less than $\pm 5\%$
Protections	OCP, OVP & Short circuit
Ripple Voltage	1% Vo

Environment

Operating Temp.	0 - 40
Storage Temp.	-20 - 80
Operating Humidity	20% - 80% (Non-condensing)

Reliability

MTBF	50,000 hrs (by MIL-217 Standard)
Safety	ITE: UL, CSA, TUV/GS, CB, CE, PSE.

Others

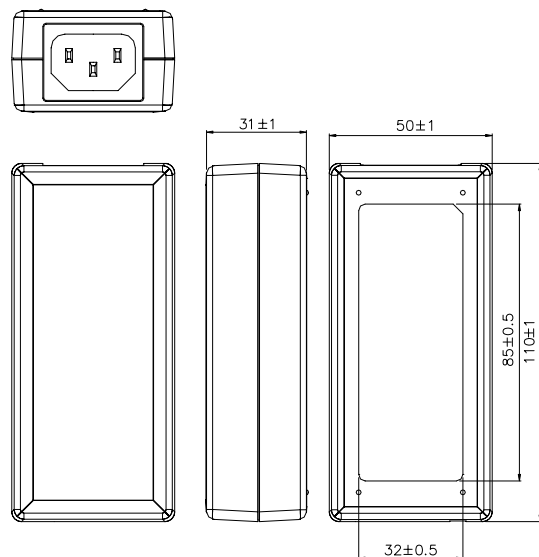
Package	60 pcs/box
Min. Order	1K pcs/lot
Warranty	1 year

Electrical

Topology	Switching Mode
Hi-Pot	1800 Vac/1sec @ 5mA (primary - secondary)
Leakage Current	3.5mA, at 240VAC/50Hz
Hold Up Time	8 mSec.
Standby Power Consumption	0.5 Watt (As per CEC Guideline)
EMI	Complies with EMI directives
CEC Requirement	Standards for Power Supplies Effective January 1, 2008 (Efficiency Level: IV)

Mechanical

Case Size	110L x 50W x 31H mm
Case Material	Black, 94V-1 or equivalent
Weight	280, ± 5 g
DC Cord	Option
LED Indicator	Option



For reference only. For details please contact your local sales representative