



SA150B-XXU

50W Switching Adapter

Input

Rated Voltage	100 - 240 VAC
Max. Voltage	90 - 264 VAC
Line Frequency	47 - 63 Hz
Current	1500mA, at 100-240VAC
Configuration	IEC-320, C8, 2PIN

Output

Model Name	Voltage	Current	Watt	Efficiency
SA150B-12U	12V	4A	48W	75%
SA150B-15U	15V	3.3A	49.5W	80%
SA150B-24U	24V	2.1A	50.4W	80%

Average Efficiency	As per CEC Guideline
Line Regulation	Less than $\pm 2\%$
Load Regulation	Less than $\pm 5\%$
Protections	OCP, OVP & Short circuit
Ripple Voltage	$\leq 1\% V_o$

Environment

Operating Temp.	0°C - 40°C
Storage Temp.	-20°C - 80°C
Operating Humidity	20% - 80% (Non-condensing)

Reliability

MTBF	50,000 hrs (by MIL-217 Standard)
Safety	ITE: UL, cUL, TUV/GS, CB, CE, PSE, CCC

Others

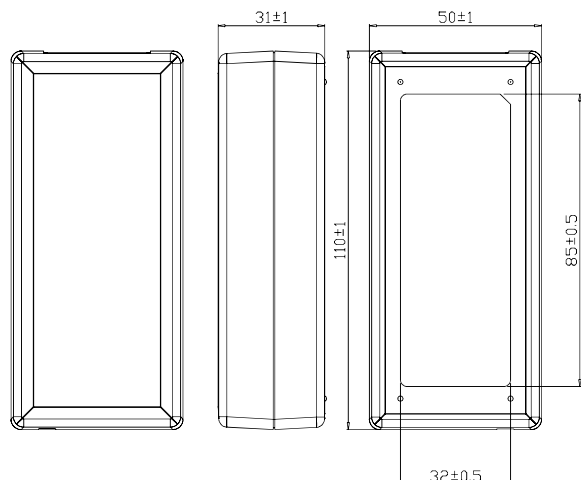
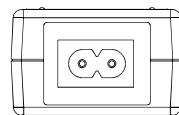
Package	60 pcs/box
Min. Order	1K pcs/lot
Warranty	1 year

Electrical

Topology	Switching Mode
Hi-Pot	3000 Vac/1sec @ 5mA (primary - secondary)
Leakage Current	$\leq 0.25\text{mA}$, at 264VAC/60Hz
Hold Up Time	≥ 8 mSec.
Standby Power	≤ 0.5 Watt (As per ErP & EPS Guideline)
Consumption	Guideline)
EMI	Complies with EMI directives
Energy Star Requirement	EPS 2.0 (Efficiency Level V)
ErP Requirement	Efficiency Level : Stage 2
MEPS Requirement	Efficiency Level : V (12V & 15V only comply with CEC IV, ErP Stage 1, MEPS IV)

Mechanical

Case Size	110L x 50W x 31H mm
Case Material	Black, 94V-1 or equivalent
Weight	280g ± 10 g
DC Cord	4.92ft



For reference only. For details please contact your local sales representative