



# SA142A-XXU

## 40W Switching Adapter

### Input

Rated Voltage	100 - 240 VAC
Max. Voltage	90 - 264 VAC
Line Frequency	47 - 63 Hz
Current	1500mA, at 100-240VAC
Configuration	IEC-320, C8, 2PIN

### Output

Model Name	Voltage	Current	Watt	Efficiency
SA142A-09U	9V	4.5A	40.5W	78%
SA142A-15U	15V	2.7A	40.5W	80%
SA142A-19U	19V	2.1A	39.9W	84%

Average Efficiency As per CEC Guideline

Line Regulation	Less than $\pm 2\%$
Load Regulation	Less than $\pm 5\%$
Protections	OCP, OVP & Short circuit
Ripple Voltage	$\leq 150\text{mVp-p}$

### Environment

Operating Temp.	0°C - 40°C
Storage Temp.	-20°C - 80°C
Operating Humidity	20% - 80% (Non-condensing)

### Reliability

MTBF	50,000 hrs (by MIL-217 Standard)
Safety	ITE: UL, cUL, TUV/GS, CB CE, PSE, SAA (For 9V & 19V)

### Others

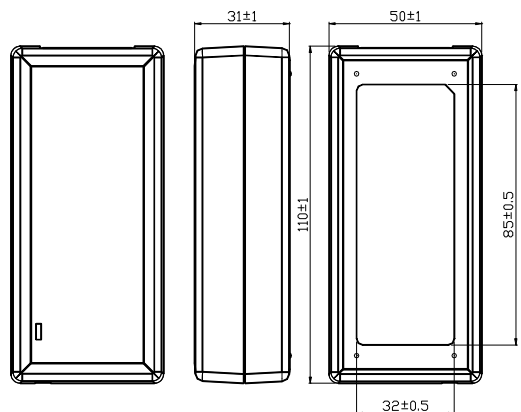
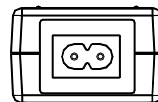
Package	60 pcs/box
Min. Order	1K pcs/lot
Warranty	1 year

### Electrical

Topology	Switching Mode
Hi-Pot	3000 Vac/1sec @ 5mA (primary - secondary)
Leakage Current	$\leq 0.25\text{mA}$ , at 264VAC/60Hz
Hold Up Time	$\geq 10$ mSec.
Standby Power Consumption	$\leq 0.5$ Watt (As per CEC Guideline)
EMI	Complies with EMI directives
CEC Requirement	Efficiency Level: IV
MEPS Requirement	Efficiency Level: IV

### Mechanical

Case Size	110L x 50W x 31H mm
Case Material	Black, 94V-1 or equivalent
Weight	270g (Ref.)
LED Indicator	Option
DC Cord	4.92ft



For reference only. For details please contact your local sales representative