



SA130C-19V

30W Switching Adapter

Input

Rated Voltage	100 - 240 VAC
Max. Voltage	90 - 264 VAC
Line Frequency	47 - 63 Hz
Current	1000mA, at 100-240VAC
Configuration	IEC-320, C6, 3PIN

Output

Model Name	Voltage	Current	Watt	Efficiency
SA130C-19V	19V	1.58A	30W	85%

Operating Humidity	20% - 80% (Non-condensing)
Line Regulation	Less than $\pm 2\%$
Load Regulation	Less than $\pm 5\%$
Protections	OCP, OVP, OTP & Short circuit
Ripple Voltage	$\leq 1\% V_o$

Environment

Operating Temp.	0°C - 40°C
Storage Temp.	-20°C - 80°C
Operating Humidity	20% - 80% (Non-condensing)
RoHS & WEEE	Standard

Reliability

MTBF	50,000 hrs (by MIL-217 Standard)
Safety	ITE: Meet UL, cUL, TUV/GS, CB, CE, PSE

Others

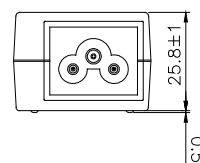
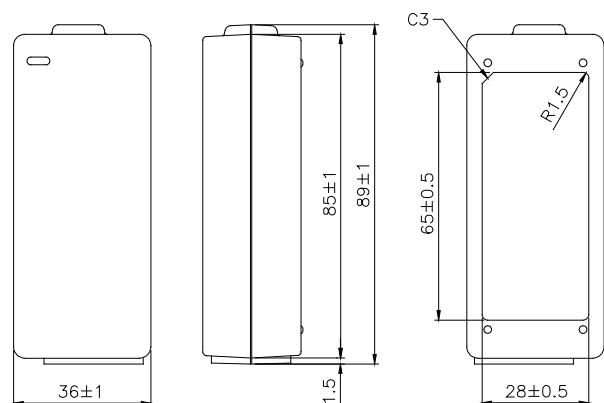
Package	TBD
Warranty	1 year

Electrical

Topology	Switching Mode
Hi-Pot	3000 Vac/1min. @ 5mA (primary - secondary)
Leakage Current	$\leq 3.5mA$, at 264VAC/60Hz
Hold Up Time	≥ 8 mSec.
Standby Power	≤ 0.3 Watt
Consumption	
EMI	Complies with EMI directives
Energy Star Requirement	EPS 2.0 (Efficiency Level: V)
EuP Requirement	Stage 2
MEPS Requirement	Efficiency Level: V

Mechanical

Case Size	89L x 36W x 25.8H mm
Case Material	Black, 94V-0 or equivalent
Weight	TBD
DC Cord	4.92ft
LED Indicator	Option



For reference only. For details please contact your local sales representative