



SA125A-XXYYU-S

25W Switching Adapter Series

Input

Rated Voltage	100 - 240 VAC
Max. Voltage	90 - 264 VAC
Line Frequency	47 - 63 Hz
Current	800mA, at 100-240VAC
Configuration	IEC-320, C8, 2-PIN

Output

Model Name	Voltage	Current	Watt	Efficiency
SA125A-0540U-S	5V	4.0A	20.0W	65%
SA125A-0735U-S	7V	3.5A	24.5W	70%
SA125A-0830U-S	8V	3.0A	24.0W	70%
SA125A-1516U-S	15V	1.6A	24.0W	75%
SA125A-2908U-S	29V	0.8A	23.2W	75%
SA125A-3375U-S	33V	0.75A	24.75W	80%

Line Regulation $\leq \pm 2\%$

Load Regulation $\leq \pm 5\%$

Protections OCP, OVP & Short circuit

Ripple Voltage $\leq 100\text{mVp-p}$ (For 5V,7V,8V models)
 $\leq 1\%V_o$ (For 15V ~ 33V models)

Environment

Operating Temp. $0^{\circ}\text{C} - 40^{\circ}\text{C}$

Storage Temp. $-20^{\circ}\text{C} - 80^{\circ}\text{C}$

Operating Humidity 20% - 80% (Non-condensing)

Reliability

MTBF 100,000 hrs (by MIL-217 Standard)

Safety ITE : UL, CSA, TUV/GS, CB, CE
PSE

Others

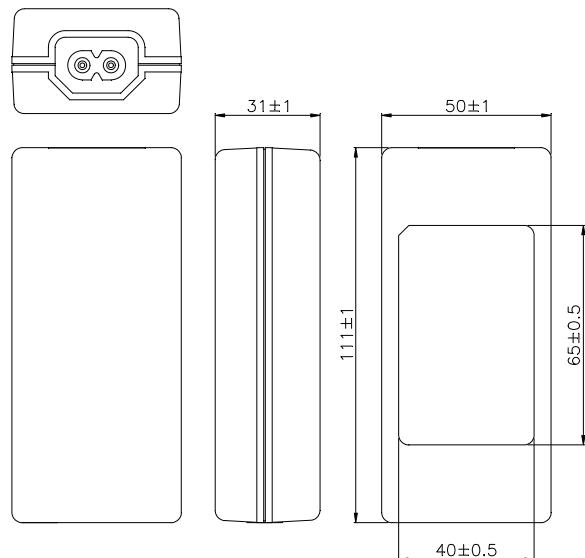
Package	60 pcs/box
Min. Order	1K pcs/lot
Warranty	1 year

Electrical

Topology	Switching Mode
Hi-Pot	3000 Vac/1sec @ 5mA (primary - secondary)
Leakage Current	$\leq 0.25\text{mA}$, at 240VAC/50Hz
Hold Up Time	≥ 10 mSec.
Standby Power	≤ 3 Watt
Consumption	
EMI	Complies with EMI directives

Mechanical

Case Size	111L x 50W x 31H mm
Case Material	Black, 94V-1 or equivalent
Weight	220, ± 5 g
DC Cord	4.92ft



For reference only. For details please contact your local sales representative.