



SA125A-XXYYG-S

25W Switching Adapter Series

Input

Rated Voltage	100 - 240 VAC
Max. Voltage	90 - 264 VAC
Line Frequency	47 - 63 Hz
Current	800mA, at 100-240VAC
Configuration	Europe, 2-PIN

Output

Model Name	Voltage	Current	Watt	Efficiency
SA125A-0540G-S	5V	4.0A	20.0W	65%
SA125A-0735G-S	7V	3.5A	24.5W	70%
SA125A-0830G-S	8V	3.0A	24.0W	70%
SA125A-1220G-S	12V	2.0A	24.0W	75%
SA125A-1516G-S	15V	1.6A	24.0W	75%
SA125A-2410G-S	24V	1.0A	24.0W	75%
SA125A-2908G-S	29V	0.8A	23.2W	75%
SA125A-3375G-S	33V	0.75A	24.75W	80%

Line Regulation	$\leq \pm 2\%$
Load Regulation	$\leq \pm 5\%$
Protections	OCP, OVP & Short circuit
Ripple Voltage	$\leq 100\text{mVp-p}$ (For 5V,7V,8V models) $\leq 1\%V_o$ (For 12 ~ 33V models)

Environment

Operating Temp.	0°C - 40°C
Storage Temp.	-20°C - 80°C
Operating Humidity	20% - 80% (Non-condensing)

Reliability

MTBF	100,000 hrs (by MIL-217 Standard)
Safety	ITE : TUV/GS, CB, CE

Others

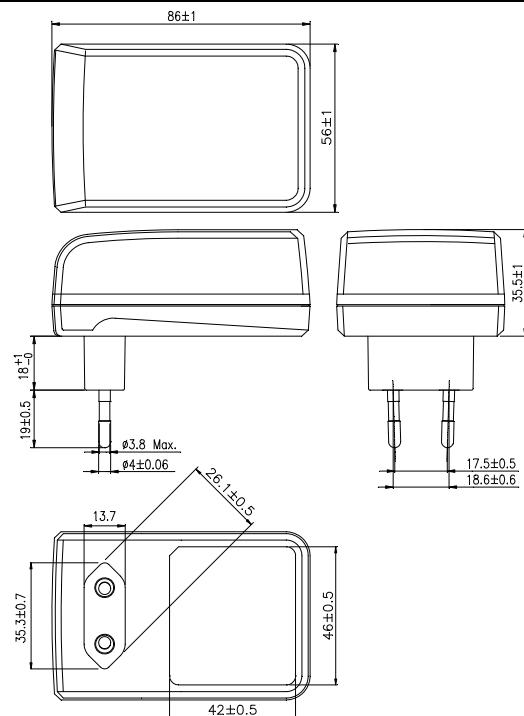
Package	60 pcs/box
Min. Order	1K pcs/lot
Warranty	1 year

Electrical

Topology	Switching Mode
Hi-Pot	3000 Vac/1sec @ 5mA (primary - secondary)
Leakage Current	$\leq 0.25\text{mA}$, at 240VAC/50Hz
Hold Up Time	≥ 10 mSec.
Standby Power	≤ 3 Watt
Consumption	
EMI	Complies with EMI directives

Mechanical

Case Size	86L x 56W x 35.5H mm
Case Material	Black, 94V-1 or equivalent
Weight	220, ± 5 g
DC Cord	4.92ft



For reference only. For details please contact your local sales representative.