



SA125A-XXYY-S

25W Switching Adapter Series

Input

| | |
|----------------|----------------------|
| Rated Voltage | 100 - 240 VAC |
| Max. Voltage | 90 - 264 VAC |
| Line Frequency | 47 - 63 Hz |
| Current | 800mA, at 100-240VAC |
| Configuration | UL, 2-PIN |

Output

| Model Name | Voltage | Current | Watt | Efficiency |
|---------------|---------|---------|--------|------------|
| SA125A-0540-S | 5V | 4.0A | 20.0W | 65% |
| SA125A-0735-S | 7V | 3.5A | 24.5W | 70% |
| SA125A-0830-S | 8V | 3.0A | 24.0W | 70% |
| SA125A-1220-S | 12V | 2.0A | 24.0W | 75% |
| SA125A-1516-S | 15V | 1.6A | 24.0W | 75% |
| SA125A-2410-S | 24V | 1.0A | 24.0W | 75% |
| SA125A-2908-S | 29V | 0.8A | 23.2W | 75% |
| SA125A-3375-S | 33V | 0.75A | 24.75W | 80% |

| | |
|-----------------|---|
| Line Regulation | $\leq \pm 2\%$ |
| Load Regulation | $\leq \pm 5\%$ |
| Protections | OCP, OVP & Short circuit |
| Ripple Voltage | $\leq 100\text{mVp-p}$ (For 5V,7V,8V models) $\leq 1\%V_o$ (For 12 ~ 33V models) |

Environment

| | |
|--------------------|----------------------------|
| Operating Temp. | 0°C - 40°C |
| Storage Temp. | -20°C - 80°C |
| Operating Humidity | 20% - 80% (Non-condensing) |

Reliability

| | |
|--------|-----------------------------------|
| MTBF | 100,000 hrs (by MIL-217 Standard) |
| Safety | ITE : UL, CSA, PSE |

Others

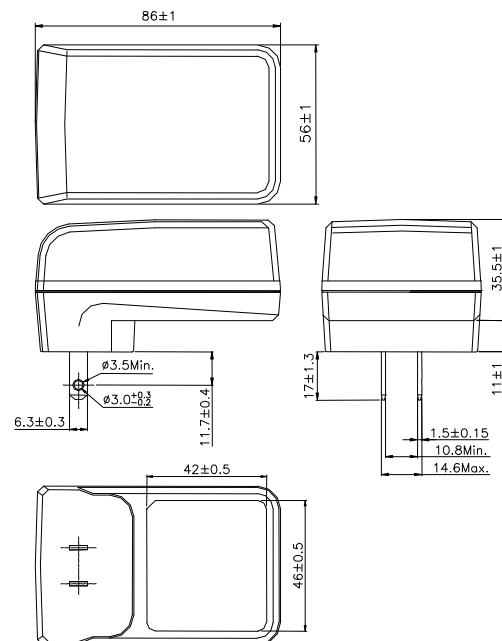
| | |
|------------|------------|
| Package | 60 pcs/box |
| Min. Order | 1K pcs/lot |
| Warranty | 1 year |

Electrical

| | |
|-----------------|--|
| Topology | Switching Mode |
| Hi-Pot | 3000 Vac/1sec @ 5mA (primary - secondary) |
| Leakage Current | $\leq 0.25\text{mA}$, at 240VAC/50Hz |
| Hold Up Time | ≥ 10 mSec. |
| Standby Power | ≤ 3 Watt |
| Consumption | |
| EMI | Complies with EMI directives |

Mechanical

| | |
|---------------|----------------------------|
| Case Size | 86L x 56W x 35.5H mm |
| Case Material | Black, 94V-1 or equivalent |
| Weight | 220, ± 5 g |
| DC Cord | 4.92ft |



For reference only. For details please contact your local sales representative.