



SA115C-XXZ

15W Switching Adapter with Exchangeable AC Plug

Input

Rated Voltage	100 - 240 VAC
Max. Voltage	90 - 264 VAC
Line Frequency	47 - 63 Hz
Current	400mA at 100-240VAC
Configuration	UL-2PIN

Output

Model Name	Voltage	Current	Watt	Efficiency
SA115C-03	3V	3.0A	9W	65%
SA115C-05	5V	3.0A	15W	70%
SA115C-09	9V	1.7A	15.3W	75%
SA115C-12	12V	1.3A	15.6W	75%
SA115C-15	15V	1.0A	15W	75%
SA115C-24	24V	0.65A	15.6W	75%

Line Regulation Less than $\pm 2\%$

Load Regulation Less than $\pm 5\%$

Protections OCP, OVP & Short circuit

Ripple & Noise $\leq 100\text{mVp-p}$ (3V, 5V, 9V)
 $\leq 150\text{mVp-p}$ (12V, 15V)
 $\leq 200\text{mVp-p}$ (24V)

Environment

Operating Temp. 0°C - 40°C

Storage Temp. -20°C - 80°C

Operating Humidity 20% - 80% (Non-condensing)

RoHS & WEEE Standard

Reliability

MTBF 50,000 hrs (by MIL-217 Standard)

Safety ITE : UL, CSA, TUV, CB, CE

PSE

Others

Package TBD pcs/box

Min. Order 1K pcs/lot

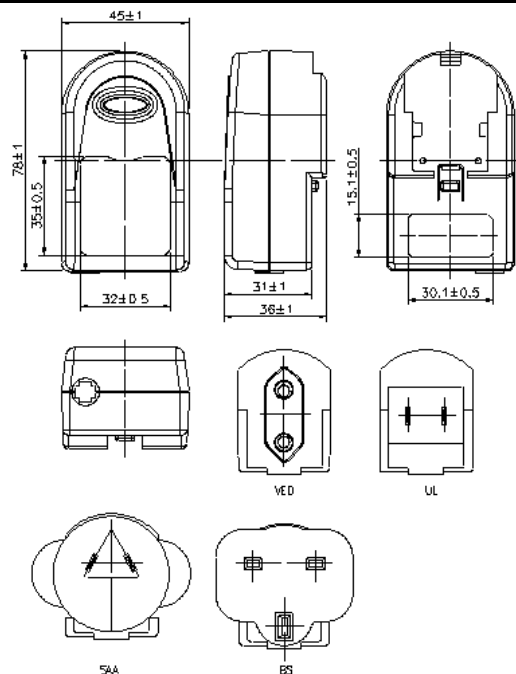
Warranty 1 year

Electrical

Topology	Switching Mode
Hi-Pot	3000 Vac/1sec @ 5mA (primary - secondary)
Leakage Current	$\leq 0.25\text{mA}$, at 240VAC/50Hz
Hold Up Time	≥ 6 mSec
Standby Power	≤ 0.5 Watt
Consumption	
EMI	Complies with EMI directives
CEC Requirement	Standards for Power Supplies Effective January 1, 2008 (Efficiency Level: IV)

Mechanical

Case Size	78L x 45W x 36H mm
Case Material	Black, 94V-1 or equivalent
Weight	165, ± 5 g
DC Cord	4.92ft



For reference only. For details please contact your local sales representative