



SA110L-XX

10W/12W Switching Adapter

Input

Rated Voltage	100 - 240 VAC
Max. Voltage	90 - 264 VAC
Line Frequency	47 - 63 Hz
Current	300mA, at 100-240VAC
Configuration	UL-2PIN

Output

Model Name	Voltage	Current	Watt	Efficiency
SA110L-05	5V	2A	10W	68%
SA110L-12	12V	1.0A	12W	70%

Line Regulation	$\leq \pm 2\%$
Load Regulation	$\leq \pm 5\%$
Protections	OCP, OVP & Short circuit
Ripple Voltage	$\leq 100\text{mVp-p}$ for 5V $\leq 120\text{mVp-p}$ for 12V

Environment

Operating Temp.	0°C - 40°C
Storage Temp.	-20°C - 80°C
Operating Humidity	10% - 90% (Non-condensing)
RoHS & WEEE	Standard

Reliability

MTBF	50,000 hrs (by MIL-217 Standard)
Safety	ITE: UL, cUL

Others

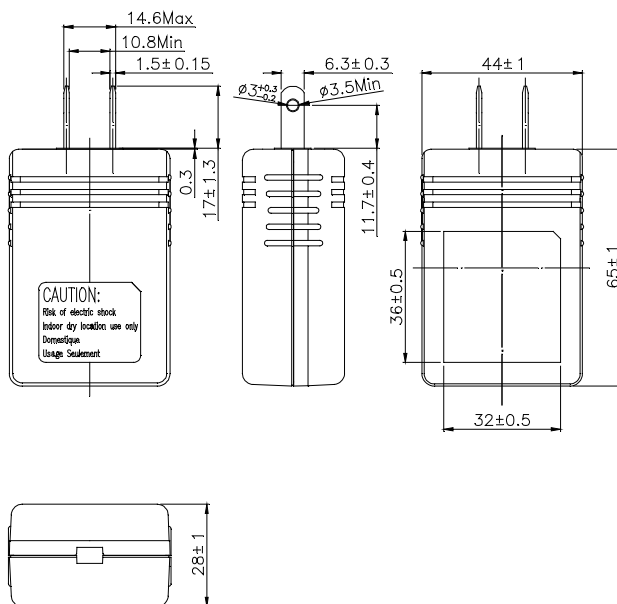
Package	100 pcs/box
Min. Order	1K pcs/lot
Warranty	1 year

Electrical

Topology	Switching Mode
Hi-Pot	3000 Vac/1sec @ 5mA (primary - secondary)
Leakage Current	$\leq 0.25\text{mA}$, at 264VAC/60Hz
Hold Up Time	≥ 6 mSec.
Standby Power	$\leq 0.5\text{Watt}$
EMI	Complies with EMI directives
CEC Requirement	Efficiency Level: IV

Mechanical

Case Size	65L x 44W x 28H mm
Case Material	Black, 94V-1 or equivalent
Weight	92 \pm 5 g
DC Cord	4.92ft



For reference only. For details please contact your local sales representative.