



SA110D-XX

10W Switching Adapter with Exchangeable AC Plug

Input

Rated Voltage	100 - 240 VAC
Max. Voltage	90 - 264 VAC
Line Frequency	47 - 63 Hz
Current	300mA at 100-240VAC
Configuration	2PIN

Output

Model Name	Voltage	Current	Watt	Efficiency
SA110D-05	5.1V	2A	10.2W	68%
SA110D-09	9V	1.1A	9.9W	75%
SA110D-12	12V	0.83A	9.96W	75%

Line Regulation	Less than $\pm 2\%$
Load Regulation	Less than $\pm 5\%$
Protections	OCP, OVP & Short circuit
Ripple & Noise	$\leq 100\text{mVp-p}$, (For 5V, 9V models) $\leq 120\text{mVp-p}$, (For 12V model)

Environment

Operating Temp.	0°C - 40°C
Storage Temp.	-20°C - 80°C
Humidity	10% - 90% (Non-condensing)
RoHS & WEEE	Standard

Reliability

MTBF	50,000 hrs (MIL-217 Standard)
Safety	ITE: UL, cUL, TUV, CB, CE, CCC

Others

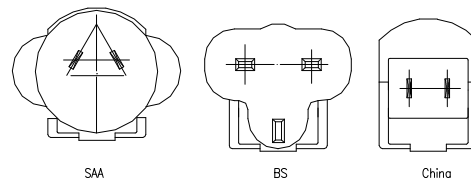
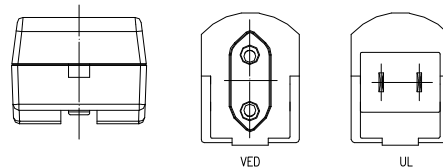
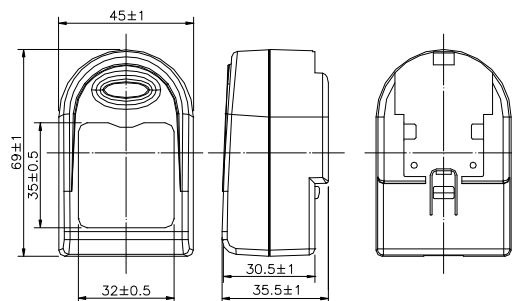
Package	TBD pcs/box
Min. Order	1K pcs/lot
Warranty	1 year

Electrical

Topology	Switching Mode
Hi-Pot	3000 Vac/1sec @ 5mA (primary - secondary)
Leakage Current	$\leq 0.25\text{mA}$, at 264VAC/50Hz
Hold Up Time	$\geq 6\text{mSec}$
Standby Power	$\leq 0.3\text{ Watt}$
EMI	Complies with EMI directives
Energy Star Requirement	EPS 2.0 (Efficiency Level V)
EuP Requirement	Efficiency Level: Stage 2

Mechanical

Case Size	69L x 45W x 35H mm
Case Material	Black, 94V-1 or equivalent
Weight	110, $\pm 10\text{ g}$
DC Cord	4.92ft



For reference only. For details please contact your local sales representative