



# SA110C-XXS-A

10W/12W Switching Adapter

## Input

Rated Voltage	100 - 240 VAC
Max. Voltage	90 - 264 VAC
Line Frequency	47 - 63 Hz
Current	300mA at 100-240VAC
Configuration	UL-2PIN

## Output

Model Name	Voltage	Current	Watt	Efficiency
SA110C-05S-A	5V	2A	10W	70%
SA110C-09S-A	9V	1.2A	10.8W	70%
SA110C-12S-A	12V	1A	12W	75%
Line Regulation	Less than $\pm 2\%$			
Load Regulation	Less than $\pm 5\%$			
Protections	OCP, OVP & Short circuit			
Ripple & Noise	$\leq 100\text{mVp-p}$ , (For 5V, 9V models) $\leq 120\text{mVp-p}$ , (For 12V model)			

## Environment

Operating Temp.	0°C - 40°C
Storage Temp.	-20°C - 80°C
Humidity	10% - 90% (Non-condensing)
RoHS & WEEE	Standard

## Reliability

MTBF	50,000 hrs (by MIL-217 Standard)
Safety	AV: UL, CUL

## Others

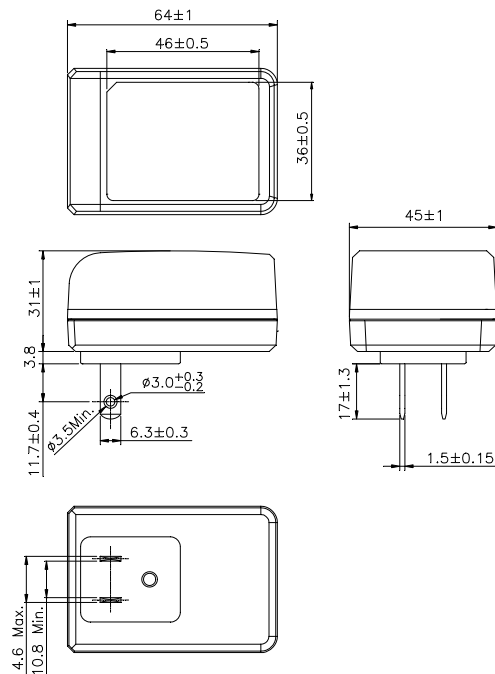
Package	100 pcs/box
Min. Order	1K pcs/lot
Warranty	1 year

## Electrical

Topology	Switching Mode
Hi-Pot	3000 Vac/1sec @ 5mA (primary - secondary)
Leakage Current	$\leq 0.25\text{mA}$ , at 264VAC/50Hz
Hold Up Time	$\geq 6$ mSec
Standby Power	$\leq 0.3$ Watt
Consumption	
EMI	Complies with EMI directives
CEC Requirement	Standards for Power Supplies Effective January 1, 2008 (Efficiency Level: IV)

## Mechanical

Case Size	64L x 45W x 31H mm
Case Material	Black, 94V-1 or equivalent
Weight	100, $\pm 5$ g
DC Cord	4.92ft



For reference only. For details please contact your local sales representative