



SA110C-XXHS-A

10W/12W Switching Adapter

Input

Rated Voltage	100 - 240 VAC
Max. Voltage	90 - 264 VAC
Line Frequency	47 - 63 Hz
Current	300mA at 100-240VAC
Configuration	UL-2PIN

Output

Model Name	Voltage	Current	Watt	Efficiency
SA110C-05HS-I	5V	2A	10W	70%
SA110C-09HS-I	9V	1.2A	10.8W	70%
SA110C-12HS-I	12V	1A	12W	75%

Line Regulation	Less than $\pm 2\%$
Load Regulation	Less than $\pm 5\%$
Protections	OCP, OVP & Short circuit
Ripple & Noise	100mVp-p, (For 5V, 9V models) 120mVp-p, (For 12V model)

Environment

Operating Temp.	0 - 40
Storage Temp.	-20 - 80
Humidity	10% - 90% (Non-condensing)
RoHS & WEEE	Standard

Reliability

MTBF	50,000 hrs (by MIL-217 Standard)
Safety	AV: CCC (GB8898, GB13837, GB17625.1)

Others

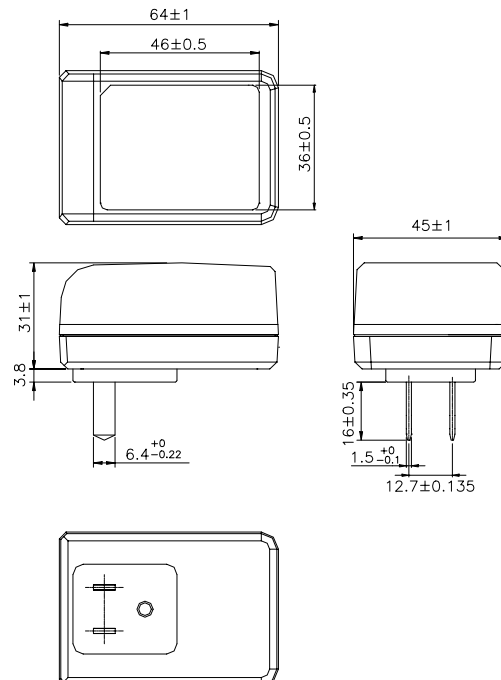
Package	100 pcs/box
Min. Order	1K pcs/lot
Warranty	1 year

Electrical

Topology	Switching Mode
Hi-Pot	3000 Vac/1sec @ 5mA (primary - secondary)
Leakage Current	0.25mA, at 264VAC/60Hz
Hold Up Time	6 mSec
Standby Power	0.3 Watt
Consumption	
EMI	Complies with EMI directives
CEC Requirement	Standards for Power Supplies Effective January 1, 2008 (Efficiency Level: IV)

Mechanical

Case Size	64L x 45W x 31H mm
Case Material	Black, 94V-1 or equivalent
Weight	100, ± 5 g
DC Cord	4.92ft



For reference only. For details please contact your local sales representative

SINO-AMERICAN ELECTRONIC CO., LTD
305 YU-LIN RD, CHIO-TOU, KAOHSIUNG HSIEN, TAIWAN, R.O.C
TEL: 886-7-6116156~9; FAX: 886-7-6116006
<http://www.sac.com.tw>