



SA103A-XXYY-6

3W Switching Adapter Series

Input

Rated Voltage	100 - 240 VAC
Max. Voltage	90 - 264 VAC
Line Frequency	47 - 63 Hz
Current	100mA at 100-240VAC
Configuration	UL-2PIN

Output

Model Name	Voltage	Current	Watt	Efficiency
SA103A-0310-6	3V	1.0A	3W	55%
SA103A-0506-6	5V	0.6A	3W	60%
SA103A-0903-6	9V	0.34A	3.06W	60%
SA103A-1202-6	12V	0.25A	3W	60%

Line Regulation	$\leq \pm 2\%$
Load Regulation	$\leq \pm 5\%$ (For 5V,9V,12V models) $\leq \pm 10\%$ (For 3V model)
Protections	OCP, OVP & Short circuit
Ripple Voltage	$\leq 100\text{mVp-p}$ (For 3V,5V,9V models) $\leq 1\%V_o$ (For 12V model)

Environment

Operating Temp.	0°C - 40°C
Storage Temp.	-20°C - 80°C
Operating Humidity	20% - 80% (Non-condensing)
RoHS & WEEE	Standard

Reliability

MTBF	100,000 hrs (by MIL-217 Standard)
Safety	ITE: CUS, CSA, PSE, CCC

Others

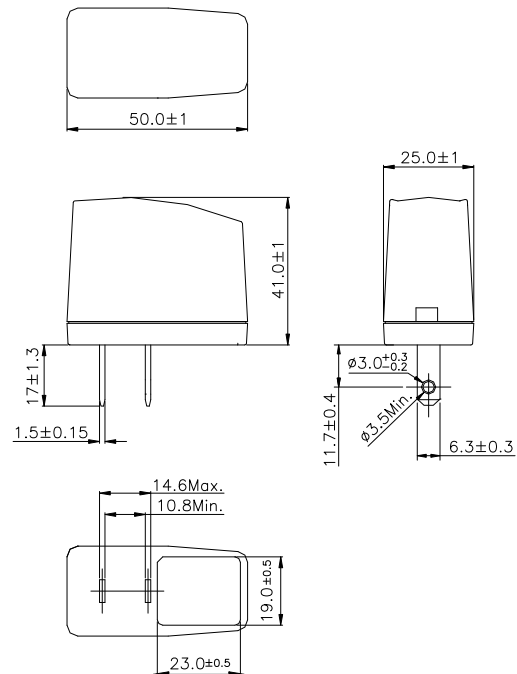
Package	100 pcs/box
Min. Order	1K pcs/lot
Warranty	1 year

Electrical

Topology	Switching Mode
Hi-Pot	3000 Vac/1sec @ 5mA (primary - secondary)
Leakage Current	$\leq 0.25\text{mA}$, at 240VAC/50Hz
Hold Up Time	≥ 6 mSec
Standby Power	≤ 1 Watt
Consumption	
EMI	Complies with EMI directives
CEC Compliance	Level IV, except 3V

Mechanical

Case Size	50L x 25W x 41H mm
Case Material	Black, 94V-1 or equivalent
Weight	80, ± 5 g
DC Cord	4.92ft



For reference only. For details please contact your local sales representative.